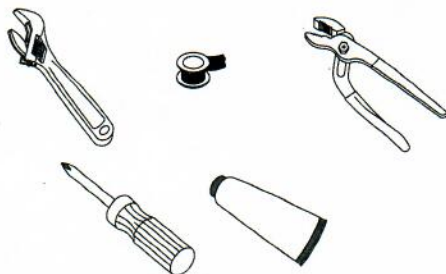


Installation

Tools

- Adjustable Wrench(2)
- Teflon Tape
- Groove Joint Plier
- Phillips Screwdriver
- Silicone Sealant



Maintenance

Your new faucet is designed for years of trouble-free performance. Keep it looking new by cleaning it periodically with a soft cloth. Avoid abrasive cleaners, steel wool and harsh chemicals as these will dull the finish and void your warranty.

Safety Tips

- If you use soldering for the installation of the faucet, the seats, cartridges and washers will have to be removed before using flame. Otherwise, the warranty will be void on these parts.
- Protect your eyes with safety glass when cutting or soldering water supply lines.
- Cover your drain to avoid losing parts.

Important Points

Prior to beginning installation, turn off the cold and hot water lines and turn on the old faucet to release built-up pressure. When installing your new faucet, turn the connector nuts finger tight, then use a wrench to anchor the fitting and a second wrench to tighten the nut one additional turn. Connections that are too tight can compromise the integrity of the system. Wrap all threaded connections with a teflon tape. Always wrap in a clockwise direction.

Need Help

For Models : A-730-BN

Single Handle Pull-down Kitchen Faucet



ALLORAUSA

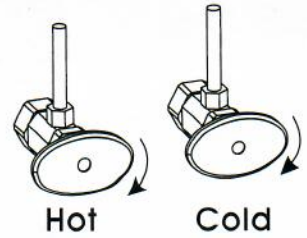
QUALITY FOR LIFE

(888) MY-ALLORA

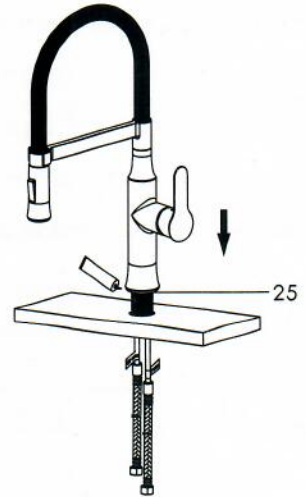
www.ALLORAUSA.com

Preparation/Assembly

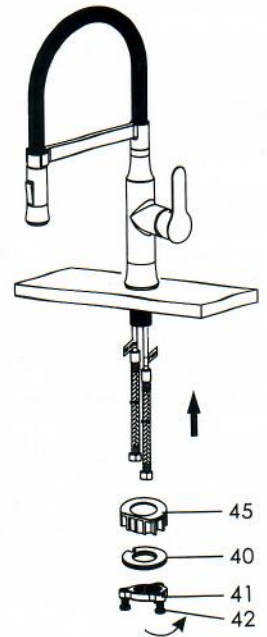
1. Shut off water supply before installation. Remove current faucet and clean and dry the sink surface the new faucet will be installed on.



2. For single hole installation - Place silicone sealant beneath the body (#25) and install the faucet through the single faucet hole.

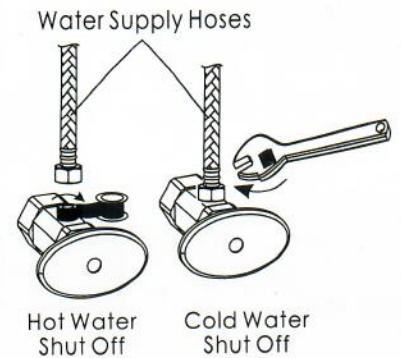


3. Attach spacer (#45)(if the thickness of counter top is less than 1/5"; if the thickness of counter top is more than 1/5", spacer (#45) is not needed), gasket assembly (#40) and lock nut (#41) from the bottom. **Please Note:** Please assemble in numerical order. Tighten but do not over tighten. Use a phillips screwdriver to tighten the 3-screws (#42) on the lock nut (#41). See diagram for visual.

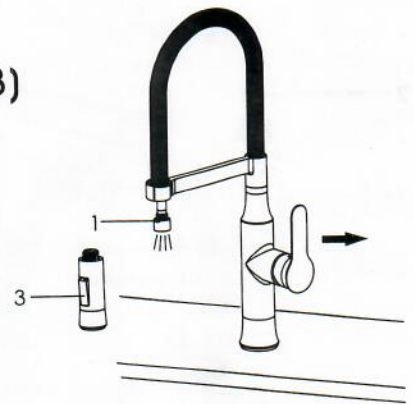


Preparation/Assembly

4. Apply teflon tape onto the threads of the faucet water shut offs in a clockwise direction. Tighten the water supply hoses onto the water supply shut offs. Please be sure to connect the cold water hose to the cold water shut off (Typically on the right) and the hot water supply hose to the hot water shut off (Typically on the left).

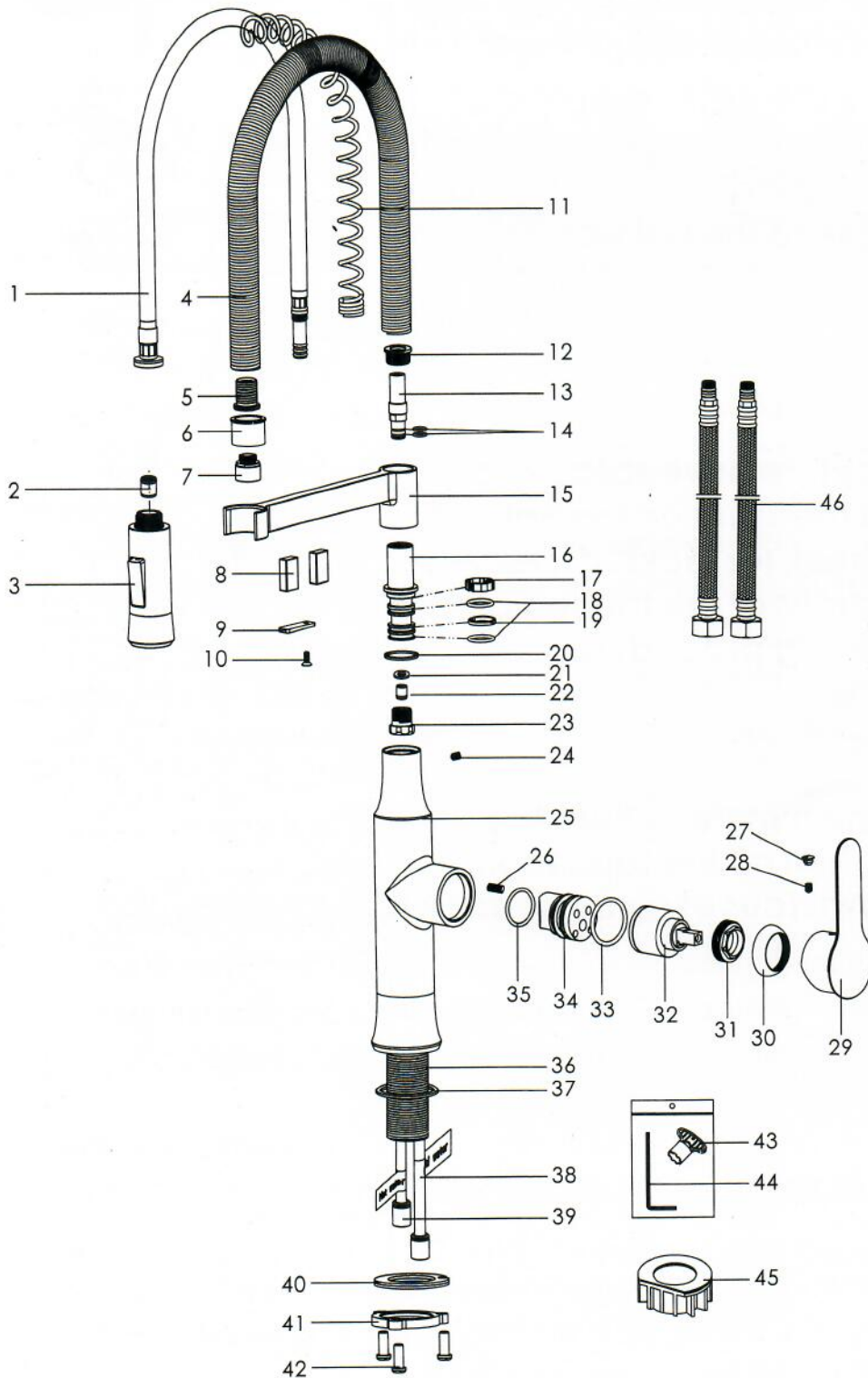


5. After installing the faucet, remove spray head (#3) from the hose (#1) and then turn on the hot and cold water shut offs. Check for leaks. If it leaks at the supply line connections at the faucet, please refer to step 6 for tightening procedure.



6. Turn on the faucet for one minute to flush the debris from the faucet. Turn off the faucet and reassemble the pull-down faucet spray head (#3) to hose (#1).

Parts Diagram / List



No.	Part Name
1	Hose
2	Check Valve
3	Spray Head
4	Spring
5	Connector
6	Magnet Base
7	Nut
8	Magnet
9	Cover
10	Screw
11	Spring Hanger
12	Spring Base
13	Hose Connector
14	O-ring
15	Shower holder
16	Fixed Holder
17	Ring
18	O-ring
19	Ring
20	Wearing Ring
21	Washer
22	Check Valve
23	Connector
24	Screw
25	Body
26	Screw
27	Handle Button(Red/Blue)
28	Screw
29	Handle
30	Trim Cap
31	Lock Nut
32	Cartridge
33	O-ring
34	Core
35	O-ring
36	Threaded Shank
37	Wearing Ring
38	Copper Tube(cold)
39	Copper Tube(hot)
40	Gasket Assembly
41	Lock Nut
42	Screw
43	Aerator Wrench
44	Hex Wrench
45	Spacer
46	Water Supply Lines