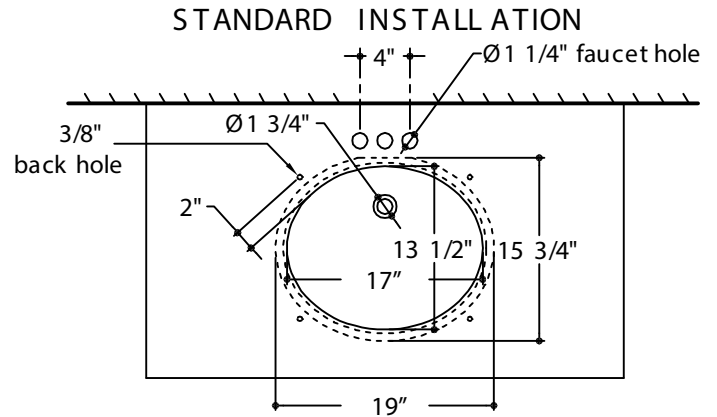


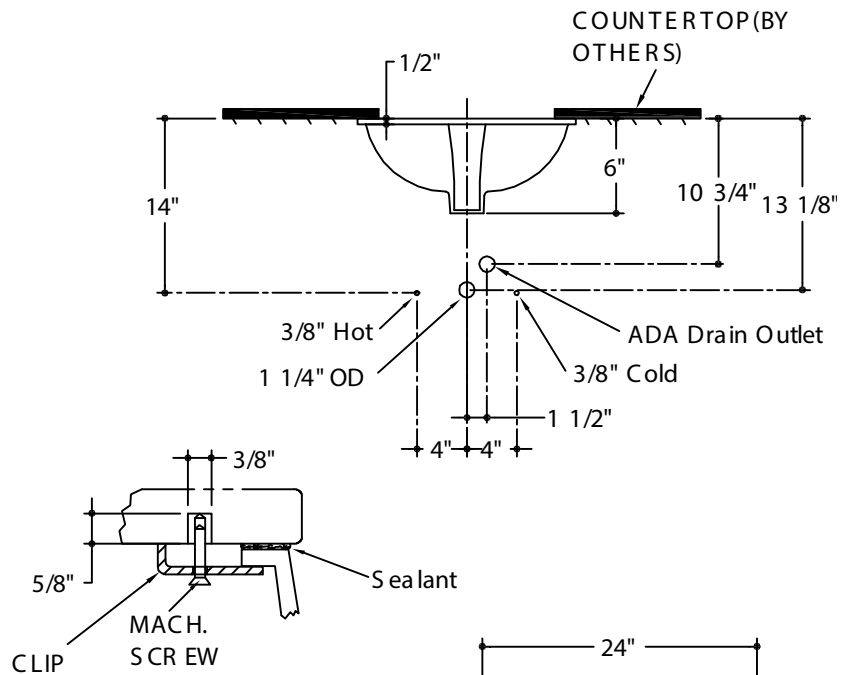
UNDERCOUNTER SINK

Oval under counter mount sink
Made from vitreous China
Front Over Flow



COMPLIANCE CERTIFICATIONS

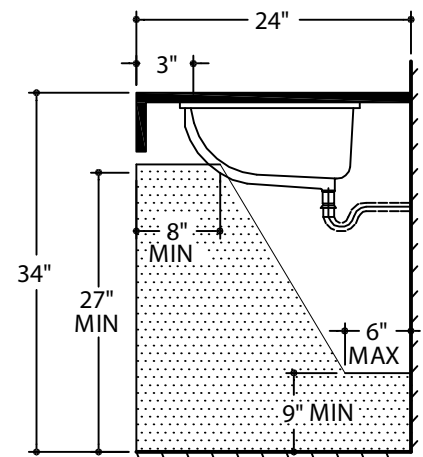
Meets or Exceeds the following specifications
ASME 112.19.2
CSA B 45 series
ADA



Notes:

WE RECOMMEND USING BASIN AS A TEMPLATE TO DETERMINE PROPER CONTOUR. CUT COUNTERTOP 38 MM (1 1/2") INSIDE BASIN CONTOUR.
* DIMENSIONS SHOWN FOR LOCATION OF SUPPLIED AND "P" TRAP ARE SUGGESTED.

- ▼ UNDER COUNTER MOUNTING KIT OPTIONAL
- FITTING NOT INCLUDED WITH FIXTURE AND MUST BE ORDERED SEPARATELY
- SEALING COMPOUNDS SUPPLIED BY OTHERS.



RECOMMENDED ADA INSTALLATION