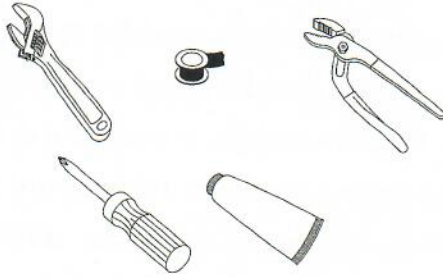


Installation

Tools

- Adjustable Wrench(2)
- Teflon Tape
- Groove Joint Plier
- Phillips Screwdriver
- Silicone Sealant



For Models : BAR-3740-BN

Single Handle Lavatory Faucet

Maintenance

Your new faucet is designed for years of trouble-free performance. Keep it looking new by cleaning it periodically with a soft cloth. Avoid abrasive cleaners, steel wool and harsh chemicals as these will dull the finish and void your warranty.

Safety Tips

- If you use soldering for the installation of the faucet, the seats, cartridges and washers will have to be removed before using flame. Otherwise, the warranty will be void on these parts.
- Protect your eyes with safety glass when cutting or soldering water supply lines.
- Cover your drain to avoid losing parts.



Important Points

Prior to beginning installation, turn off the cold and hot water lines and turn on the old faucet to release built-up pressure. When installing your new faucet, turn the connector nuts finger tight, then use a wrench to anchor the fitting and a second wrench to tighten the nut one additional turn. Connections that are too tight can compromise the integrity of the system. Wrap all threaded connections with a teflon tape. Always wrap in a clockwise direction.

Need Help



ALLORAUSA

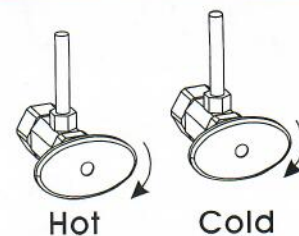
QUALITY FOR LIFE

(888) MY-ALLORA

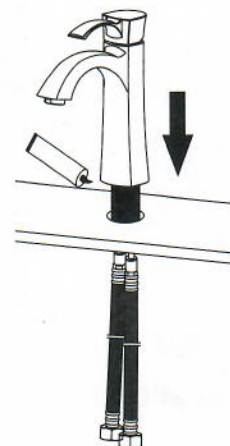
www.ALLORAUSA.com

Preparation/Assembly

1. Shut off water supply before installation. Remove current faucet and clean and dry the sink surface the new faucet will be installed on.

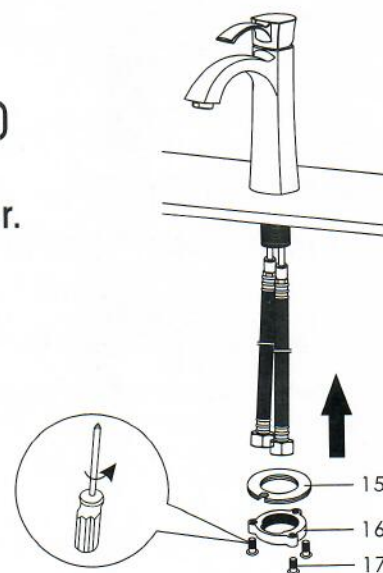


2. For single hole installation - Place silicone sealant beneath the base and install the faucet through the single faucet hole.



3. Attach gasket assembly (#15) and lock nut (#16) from the bottom.

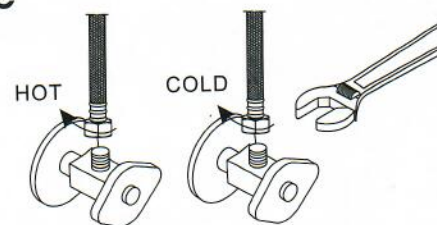
Please Note: Please assemble in numerical order. Tighten but do not over tighten. Use a phillips screwdriver to tighten the 3-screws (#17) on the lock nut (#16). See diagram for visual.



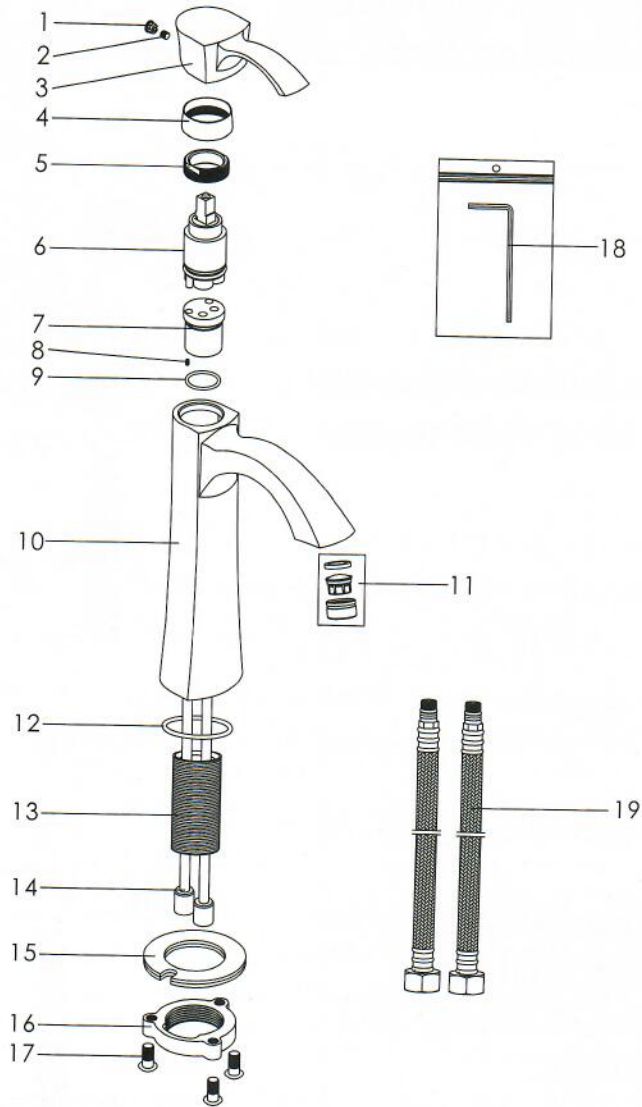
4. Connect the water supply lines to water supply valve (not included), and tighten it with adjustable wrench. **DON'T OVER TIGHTEN!**

Caution: make sure connect the hot and cold supply lines to supply valves correctly.

Warning: The supply valves are not included, please purchase them in plumbshop.



Parts Diagram / List



No.	Part Name
1	Index
2	Screw
3	Handle
4	Trim cap
5	Cartridge lock nut
6	Cartridge
7	Cartridge seat
8	Screw
9	O-ring
10	Body
11	Aerator assembly
12	O-ring
13	Threaded sleeve
14	Copper tube
15	Gasket assembly
16	Lock nut
17	Screw
18	Hex wrench
19	Water supply lines