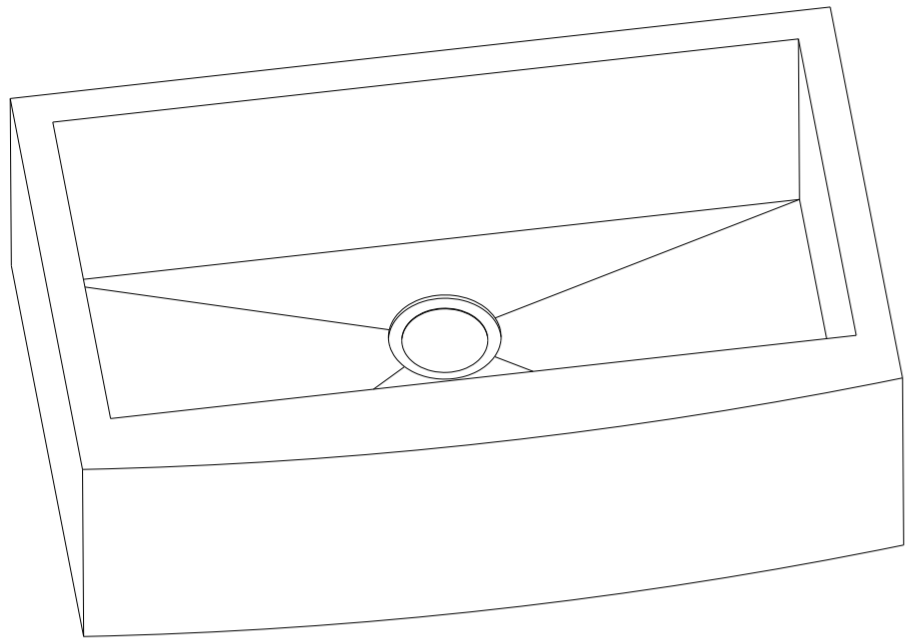


ALLORAUSA
"QUALITY FOR LIFE"

Specifications

Model Number	Depth-Inches	Drain Placement	Model Specified
KH-3321F	10"	Back	



SINK DESCRIPTION

ÿ 1800 Series single bowl apron farmhouse sink

- 18 gauge stainless steel, Brushed finish
- Center drain location

ÿ Mounting hardware and silicone sealant not included

- SoundSHIELD sound absorbing system

CUT OUT DIMENSIONS

ÿ Template not included

STANDARDS

- Third party certified by IAPMO to meet ASME A112.19.3 and all applicable specifications referenced therein

WARRANTY

- Limited lifetime warranty against material or manufacturing defects to the original consumer purchaser

CRITICAL DIMENSIONS

(DO NOT SCALE)

