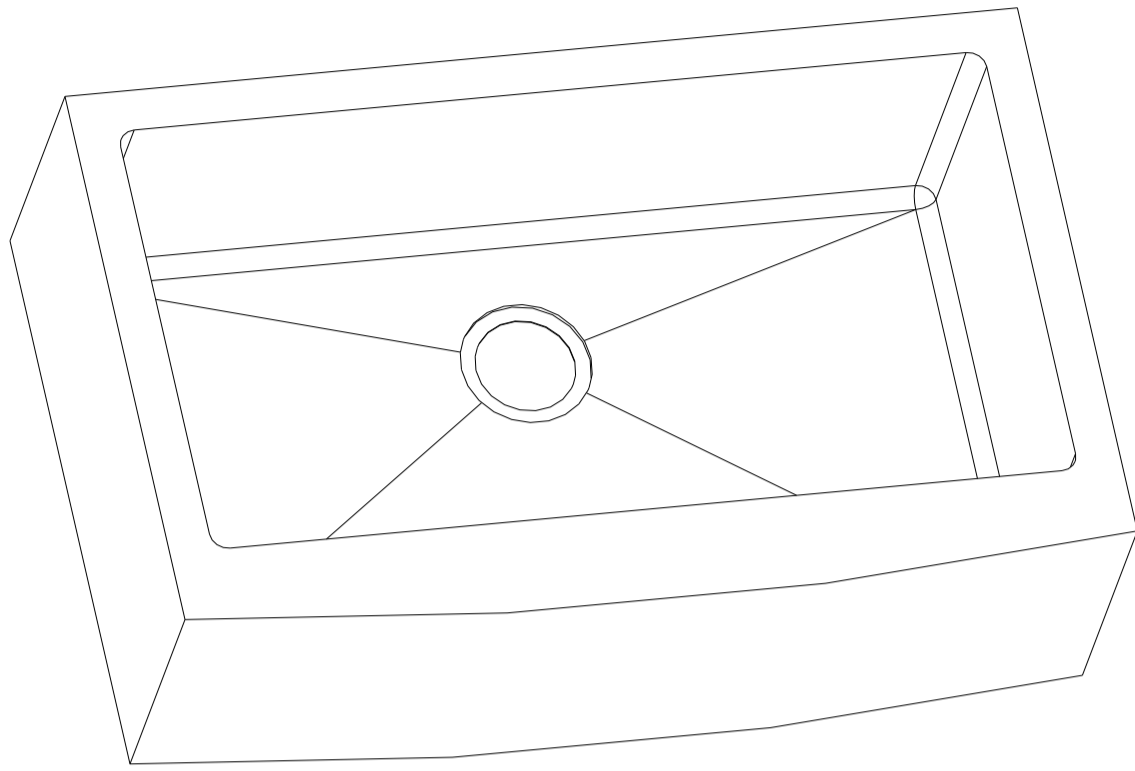


Specifications

Model Number	Depth-Inches	Drain Placement	Model Specified
KH-3321F-R15	10"	Back	



SINK DESCRIPTION

- 1800 Series single bowl hand made sink
- 18 gauge stainless steel, Brushed finish
- Back drain location
- Mounting brackets NOT included, other standard mounting hardware and silicone sealant not included
- SoundSHIELD sound absorbing system

CUT OUT DIMENSIONS

Template NOT included

STANDARDS

- Third party certified by IAPMO to meet ASME A112.19.3 and all applicable specifications referenced therein

WARRANTY

- Limited lifetime warranty against material or manufacturing defects to the original consumer purchaser

CRITICAL DIMENSIONS

(DO NOT SCALE)

