

MODEL: VCS-1317

FEATURES:

- Classic rectangular under-mount sink
- Unglazed underside
- Front overflow drain
- Scratch- resistant glaze, non-porous surface
- Available color:
 - White (VCS-1317)
 - Black (VCS-1317BLK)

PRODUCT DIMENSIONS:

- Inside dimensions: 17 3/8" x 13 3/8"
- Outside dimensions: 19 5/8" x 15 3/4"
- Bowl depth: 7 1/2"

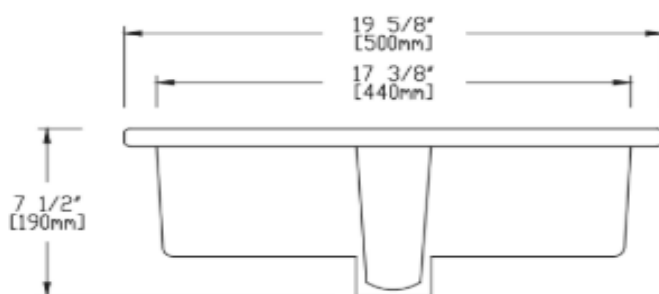
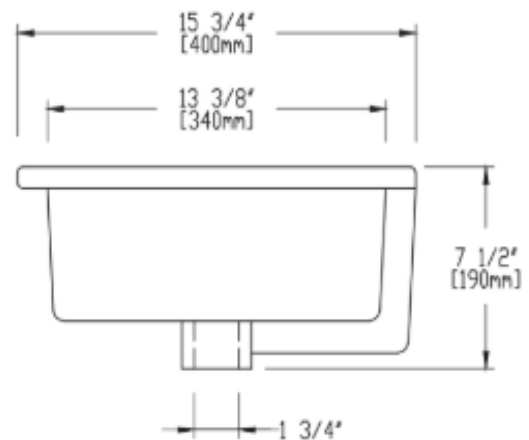
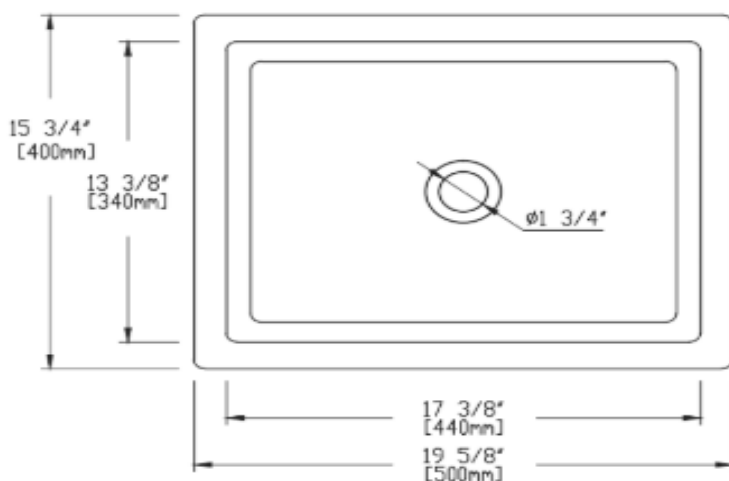


Codes/Standards



ASME A112.19.2/CSA B45.1

TECHNICAL DIMENSIONS:



ALLORA USA NOTES / DISCLAIMER:

All technical data provided is done as a service to customers of Allora USA and the end users of our products. Allora USA is not responsible for, nor does it have any liability for any mistakes or typographical errors including liability for incidental, consequential or special damages. Allora USA recommends that the model to be installed be present, inspected and measured prior to utilizing the related spec sheets and any work, preparations or alterations are made to any counter-top material. Nothing contained on this site is to be construed as contractual or providing any form of warranty or representation on the part of Allora USA.

ALLORA USA MAKES NO WARRANTIES, EXPRESS OR IMPLIED, INCLUDING BUT NOT LIMITED TO ANY WARRANTY OF MERCHANTABILITY OR OF FITNESS FOR A PARTICULAR PURPOSE, AS TO THE INFORMATION CONTAINED HEREIN OR THE PRODUCTS DESCRIBED HEREIN.