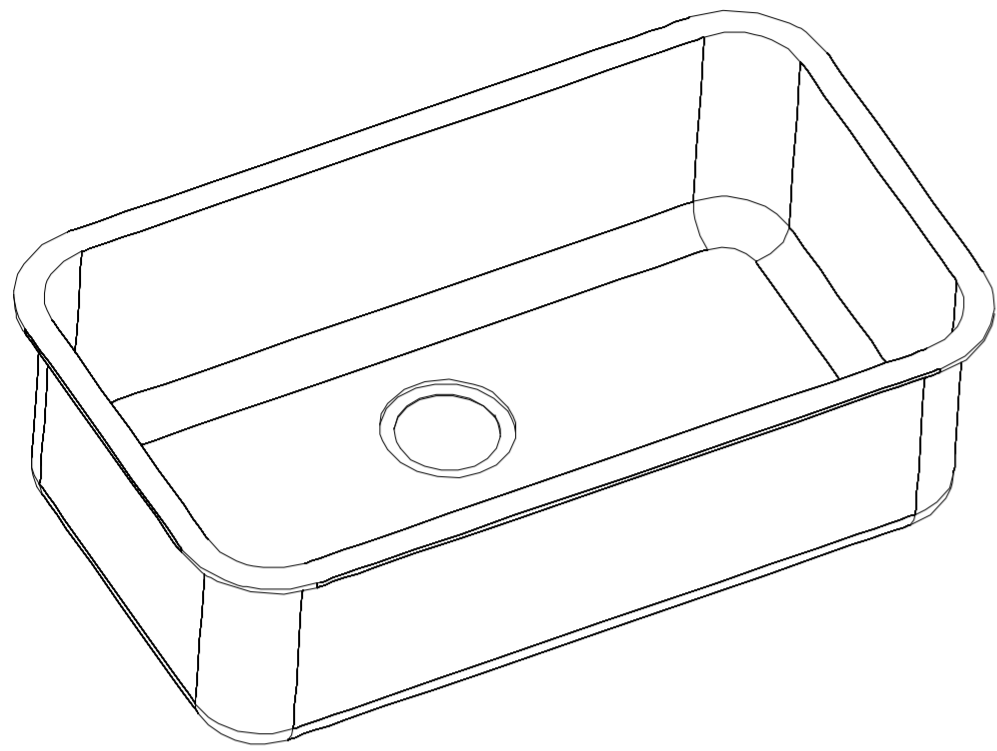


ALLORA USA

WHOLESALE SINKS & FAUCETS

Specifications

Model Number	Depth-Inches	Drain Placement	Model Specified
KSN-3118-S	9"	Back	



SINK DESCRIPTION

- 1800 Series single bowl undermount sink
- 18 gauge stainless steel, Satin finish
- Back drain location
- Mounting brackets included, other standard mounting hardware and silicone sealant not included
- SoundSHIELD sound absorbing system

CUT OUT DIMENSIONS

Template included - template number KSN-3118-S

STANDARDS

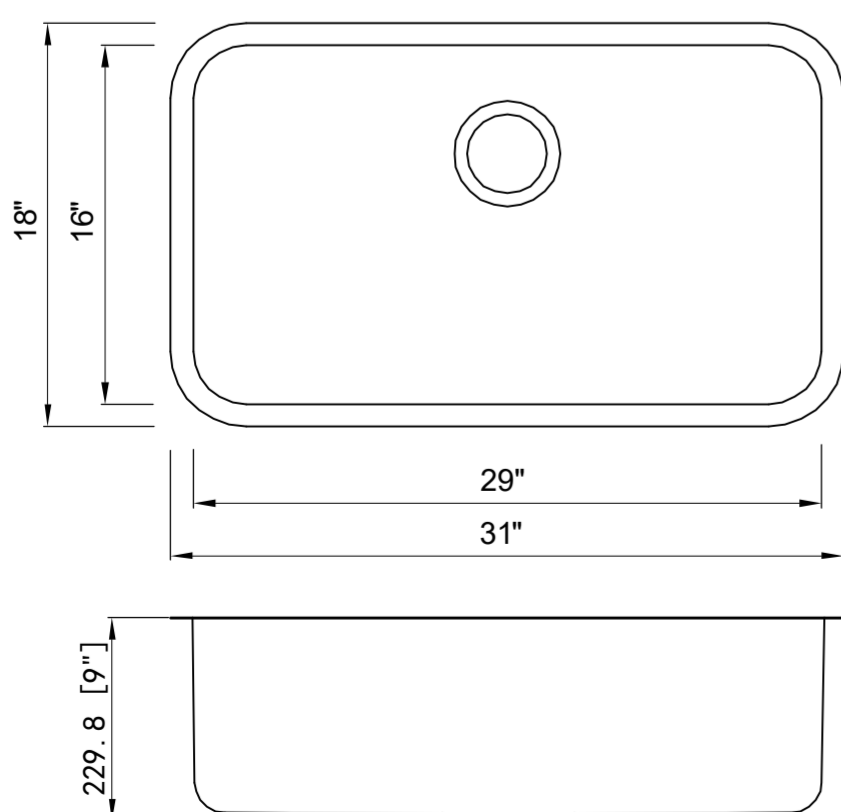
- Third party certified by IAPMO to meet ASME A112.19.3 and all applicable specifications referenced therein

WARRANTY

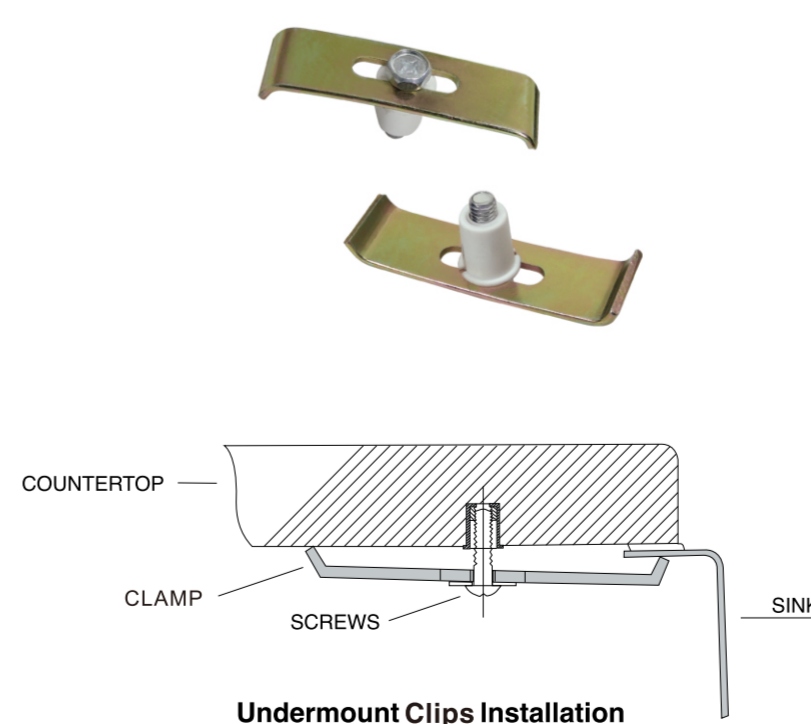
- Limited lifetime warranty against material or manufacturing defects to the original consumer purchaser

CRITICAL DIMENSIONS

(DO NOT SCALE)



Installation Detail



FOR MORE INFORMATION CALL: 1-888-MY-ALLORA

www.alloraua.com